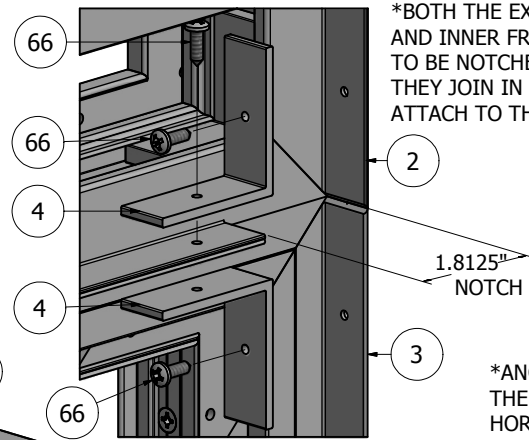
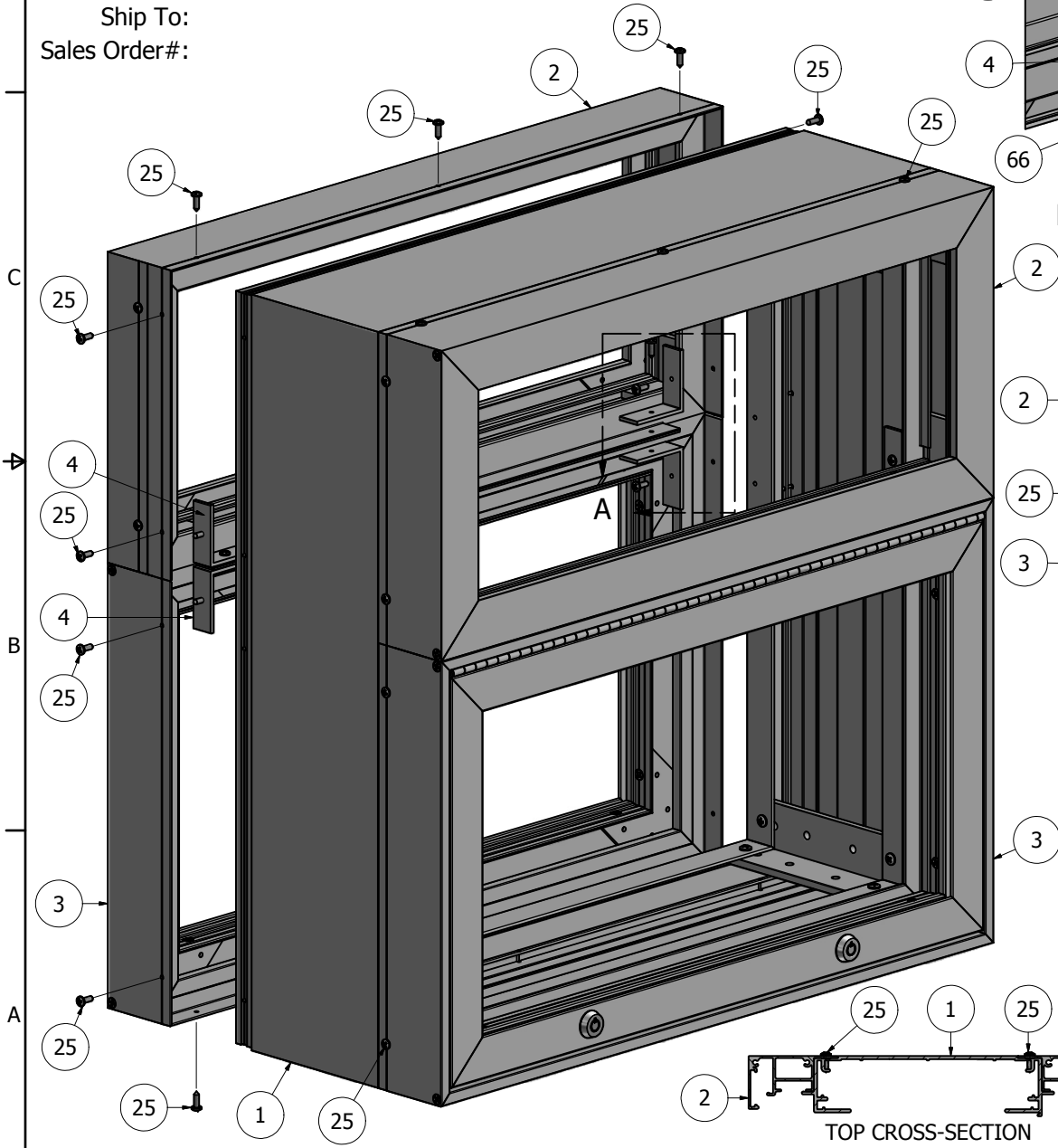
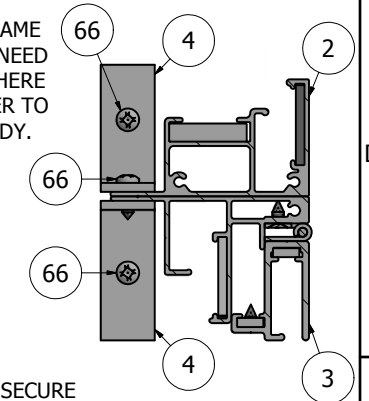


| PARTS LIST | | | |
|------------|----------|-------------------------------|-----------------------|
| ITEM | PART# | DESCRIPTION | NOTES |
| 1 | K1928 | 2Part 9in Double Face Body | Assembly |
| 2 | K1940 | 2Part Extended Retainer | Assembly |
| 3 | K1960/42 | 2Part Inner/Outer Frame | Assembly |
| 4 | 5980 | Header/Reader Divider Angle | |
| 25 | 5290 | 2Part Extended Retainer Screw | Drill 1/8" pilot hole |
| 66 | 5290 | Combo Divider Screw | Drill 1/8" pilot hole |

Ship To:
Sales Order#:

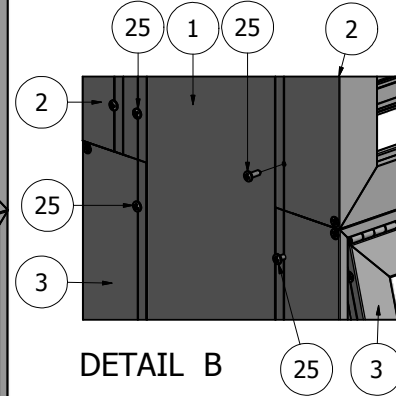


DETAIL A

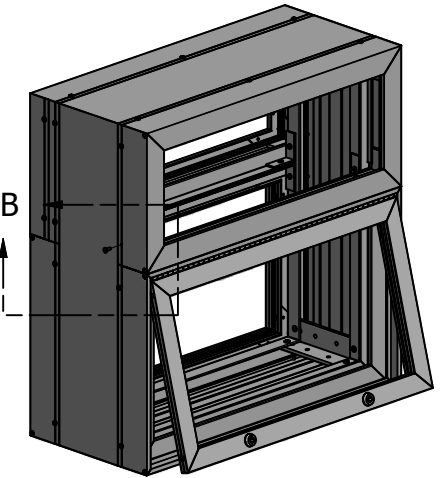


*BOTH THE EXT. FRAME AND INNER FRAME NEED TO BE NOTCHED WHERE THEY JOIN IN ORDER TO ATTACH TO THE BODY.

*ANGLES SECURE THE FRAMES ALONG THE HORIZONTALS WHERE THEY JOIN TOGETHER.



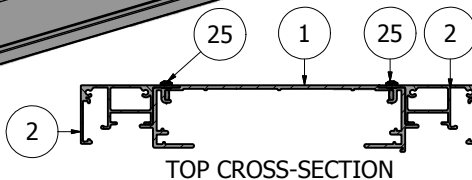
DETAIL B



NOTE: PRE-CUT KITS ARE NOT PRE-DRILLED.

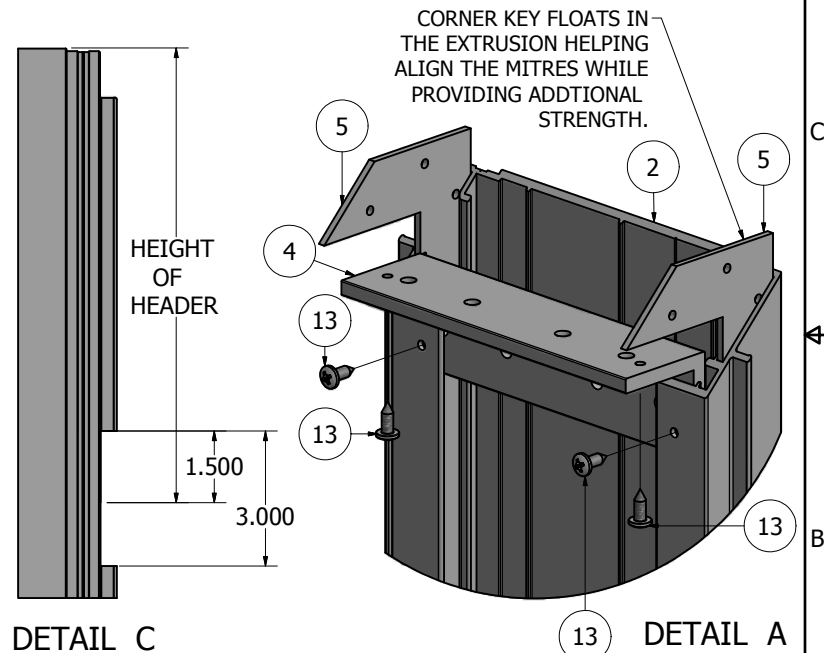
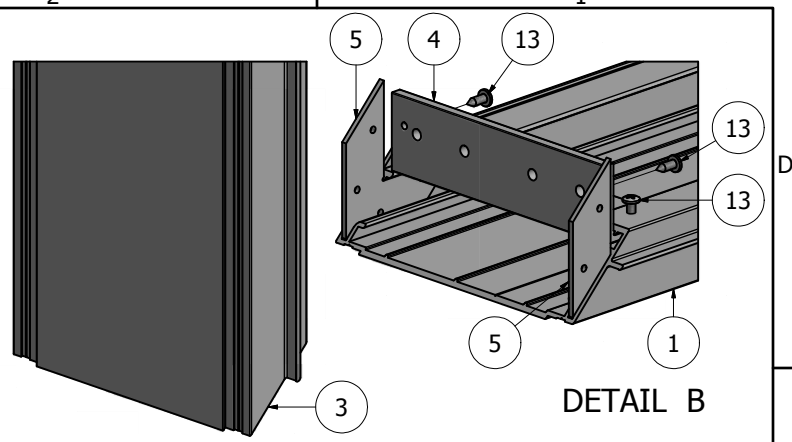
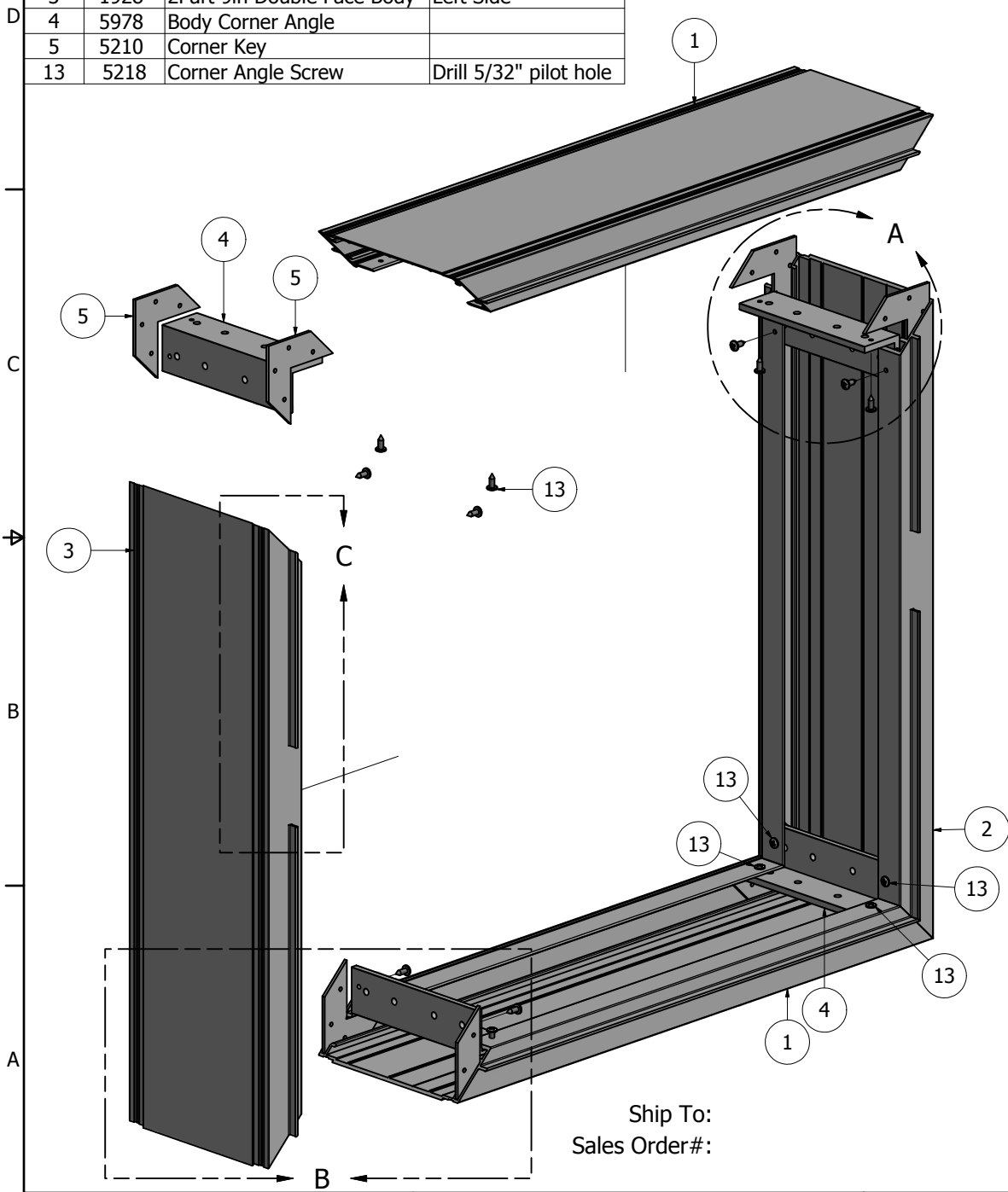
(Holes shown in this drawing are for reference only. Drilling of pilot holes are to be done by fabricator.)

| | | |
|---|-----------------------|---|
| THIS DRAWING WAS CREATED AT NO CHARGE TO ASSIST YOU IN VISUALIZING OUR PROPOSAL. THE DRAWING HEREIN IS THE PROPERTY OF SIGNCOMP. PERMISSION TO COPY OR REVISE THIS DRAWING OR TO USE THIS DRAWING FOR PRODUCTION IS STRICTLY PROHIBITED AND CAN ONLY BE COPIED, REVISED OR USED FOR PRODUCTION WITH THE EXPRESSED WRITTEN PERMISSION OF SIGNCOMP. | | |
| DRAWN | SBreihof | 7/16/2012 |
| Centroid X: | 0.000 in | |
| Centroid Y: | 0.000 in | |
| Principal Moments Ix: | 0.000 in ⁴ | |
| Principal Moments Iy: | 0.000 in ⁴ | |
| Section Modulus Ix: | 0.000 in ³ | |
| Section Modulus Iy: | 0.000 in ³ | |
| <h1>SignComp</h1> | | TITLE |
| | | 2Part 9in Double Face Body w/ 2Part Ext. Retainer and 2Part Vandal - Assembly |
| DWG NO | | REV |
| K1928/40/60/42 | | |
| SHEET 1 OF 1 | | |



TOP CROSS-SECTION

| PARTS LIST | | | |
|------------|--------|----------------------------|------------------------|
| ITEM | PART # | DESCRIPTION | NOTES |
| 1 | 1928 | 2Part 9in Double Face Body | Top & Bottom |
| 2 | 1928 | 2Part 9in Double Face Body | Right Side |
| 3 | 1928 | 2Part 9in Double Face Body | Left Side |
| 4 | 5978 | Body Corner Angle | |
| 5 | 5210 | Corner Key | |
| 13 | 5218 | Corner Angle Screw | Drill 5/32" pilot hole |



NOTE: PRE-CUT KITS ARE NOT PRE-DRILLED.
 (Holes shown in this drawing are for reference only.
 Drilling of pilot holes are to be done by fabricator.)

| | | | | |
|---|-----------------------|-----------------------|---|-----|
| THIS DRAWING WAS CREATED AT NO CHARGE TO ASSIST YOU IN VISUALIZING OUR PROPOSAL. THE DRAWING HEREIN IS THE PROPERTY OF SIGNCOMP. PERMISSION TO COPY OR REVISE THIS DRAWING OR TO USE THIS DRAWING FOR PRODUCTION IS STRICTLY PROHIBITED AND CAN ONLY BE COPIED, REVISED OR USED FOR PRODUCTION WITH THE EXPRESSED WRITTEN PERMISSION OF SIGNCOMP. | | | <h1>SignComp</h1> | |
| DRAWN | SBreihof | 7/17/2012 | | |
| | Centroid X: | 0.000 in | 2Part 9in Double Face Body - Notched Assembly | |
| | Centroid Y: | 0.000 in | DWG NO | REV |
| | Principal Moments Ix: | 0.000 in ⁴ | KK1928 - Header / Reader | |
| | Principal Moments Iy: | 0.000 in ⁴ | SHEET 1 OF 1 | |
| | Section Modulus Ix: | 0.000 in ³ | | |
| | Section Modulus Iy: | 0.000 in ³ | | |

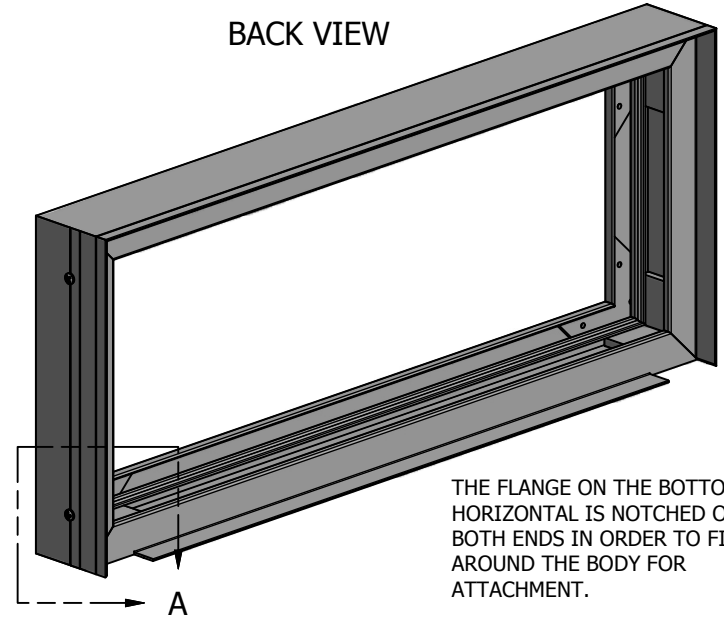
Ship To:
Sales Order#:

| PARTS LIST | | | |
|------------|-------|----------------------------|-----------------------|
| ITEM | PART# | DESCRIPTION | NOTES |
| 1 | 1940 | 2Part Ext. Retainer | Top & Bottom |
| 2 | 1940 | 2Part Ext. Retainer | One Side |
| 3 | 1955 | 2Part Ext. Frame | One Side |
| 4 | 1944 | 2Part Retainer | One Side |
| 5 | 5210 | Corner Key | |
| 6 | 5305 | Frame Corner Angle | |
| 24 | 5290 | Retainer Screw | Drill 1/8" pilot hole |
| 28 | 5241 | Ext. Retainer Corner Screw | Drill #8 counter sink |

SHIP TO:
SALES ORDER#:

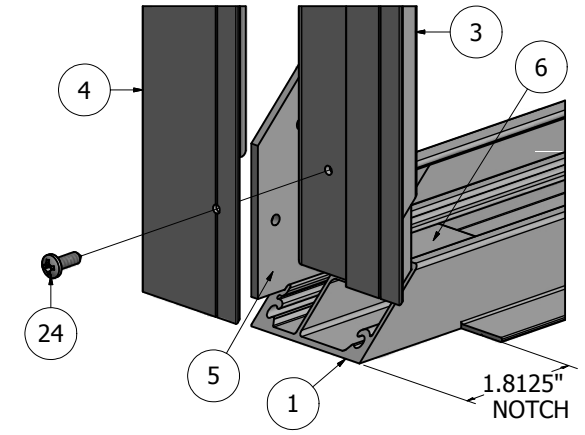
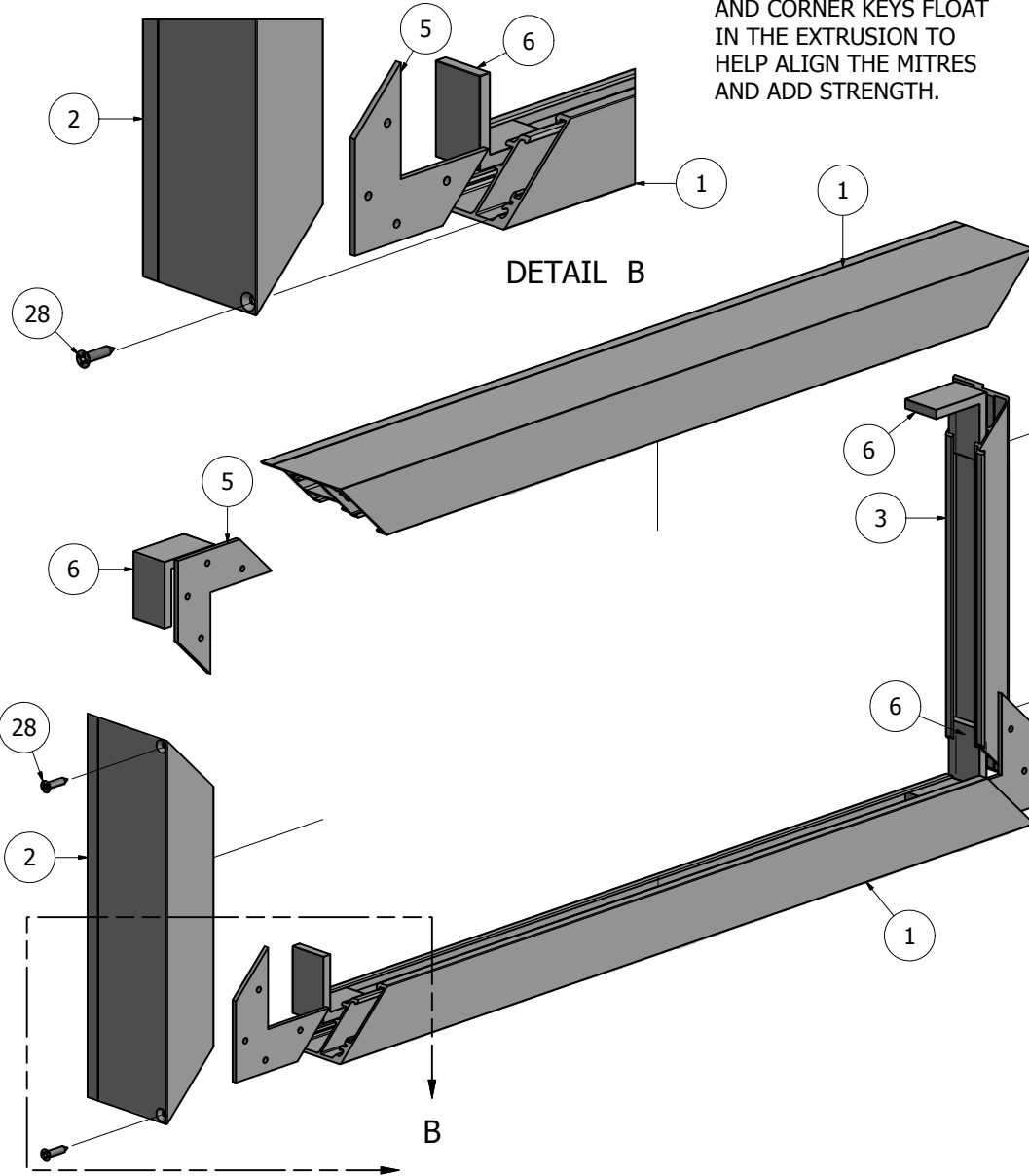
FRAME CORNER ANGLES
AND CORNER KEYS FLOAT
IN THE EXTRUSION TO
HELP ALIGN THE MITRES
AND ADD STRENGTH.

BACK VIEW



THE FLANGE ON THE BOTTOM
HORIZONTAL IS NOTCHED ON
BOTH ENDS IN ORDER TO FIT
AROUND THE BODY FOR
ATTACHMENT.

DETAIL B



DETAIL A

NOTE: PRE-CUT KITS ARE NOT PRE-DRILLED.
(Holes shown in this drawing are for reference only.
Drilling of pilot holes are to be done by fabricator.)

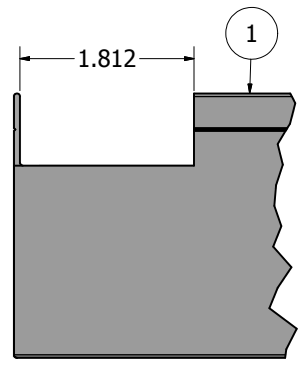
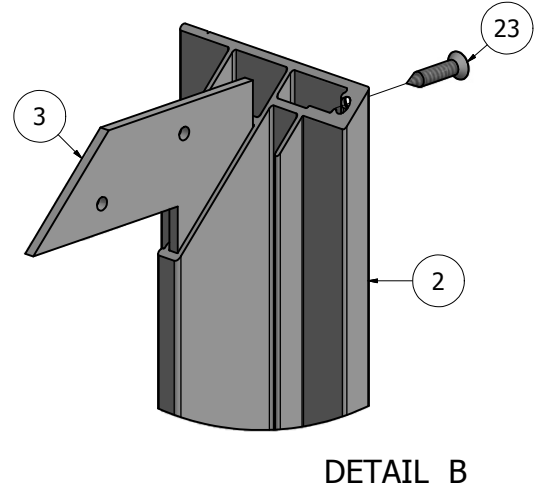
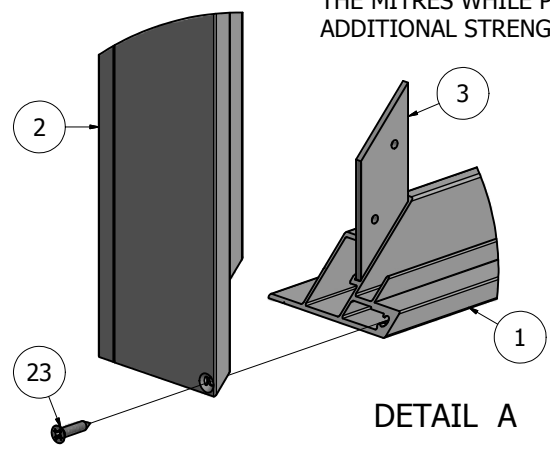
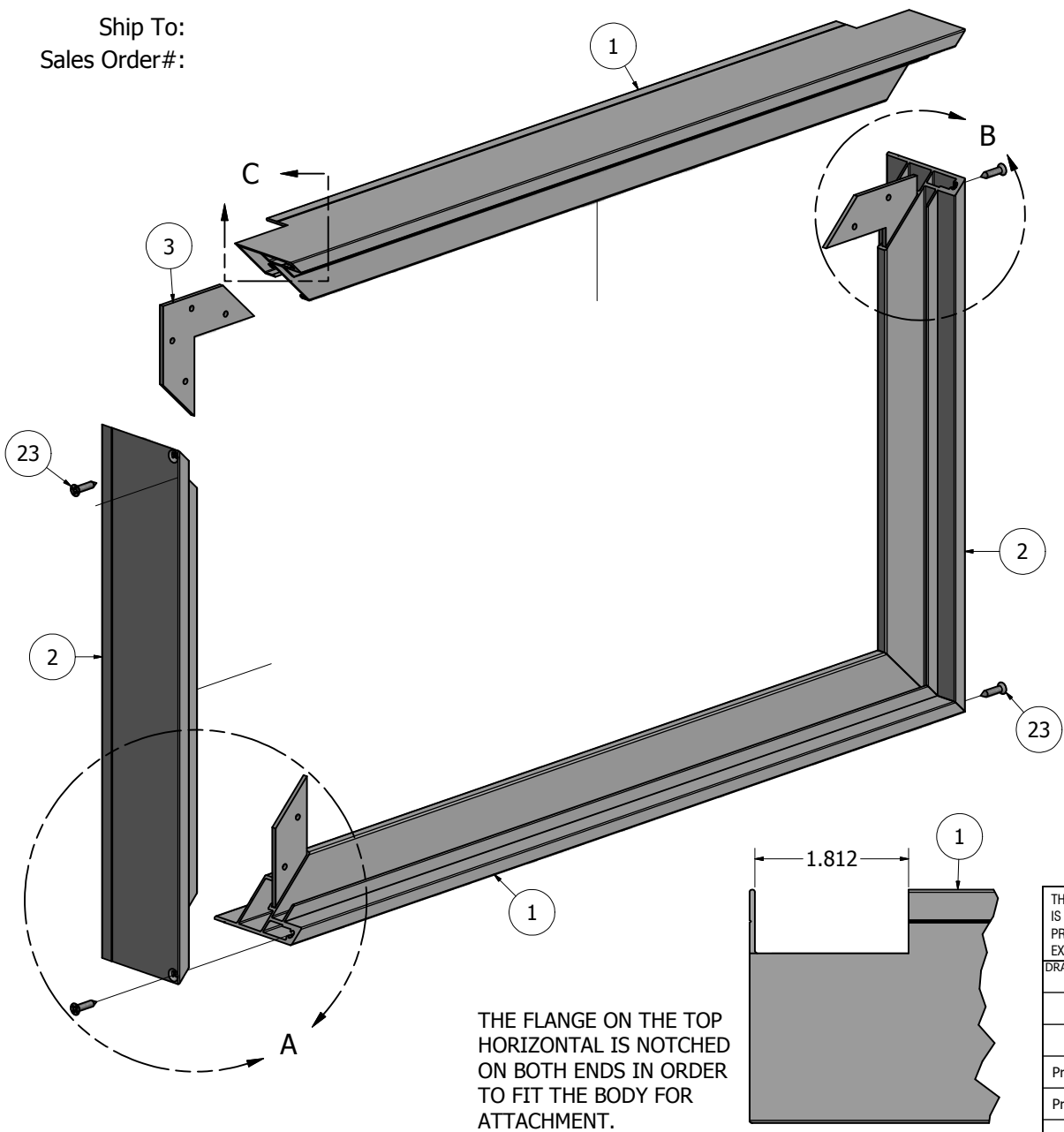
THIS DRAWING WAS CREATED AT NO CHARGE TO ASSIST YOU IN VISUALIZING OUR PROPOSAL. THE DRAWING HEREIN IS THE PROPERTY OF SIGNCOMP. PERMISSION TO COPY OR REVISE THIS DRAWING OR TO USE THIS DRAWING FOR PRODUCTION IS STRICTLY PROHIBITED AND CAN ONLY BE COPIED, REVISED OR USED FOR PRODUCTION WITH THE EXPRESSED WRITTEN PERMISSION OF SIGNCOMP.

| | | | |
|-----------------------|-----------------------|-----------|----------------------------------|
| DRAWN | SBreihof | 6/26/2012 | SignComp |
| Centroid X: | 0.000 in | | |
| Centroid Y: | 0.000 in | | TITLE |
| Principal Moments Ix: | 0.000 in ⁴ | | 2Part Extended Retainer - Header |
| Principal Moments Iy: | 0.000 in ⁴ | | DWG NO |
| Section Modulus Ix: | 0.000 in ³ | | K1940 - Header |
| Section Modulus Iy: | 0.000 in ³ | | REV |

| PARTS LIST | | | |
|------------|-------|--------------------------|-------------------------|
| ITEM | PART# | DESCRIPTION | NOTES |
| 1 | 1960 | 2Part Inner Frame | Top & Bottom |
| 2 | 1960 | 2Part Inner Frame | Sides |
| 3 | 5210 | Corner Key | |
| 23 | 5241 | Inner Frame Corner Screw | Drill a #8 counter sink |

CORNER KEYS FLOAT IN THE FRAME HELPING TO ALIGN THE MITRES WHILE PROVIDING ADDITIONAL STRENGTH.

Ship To:
Sales Order#:

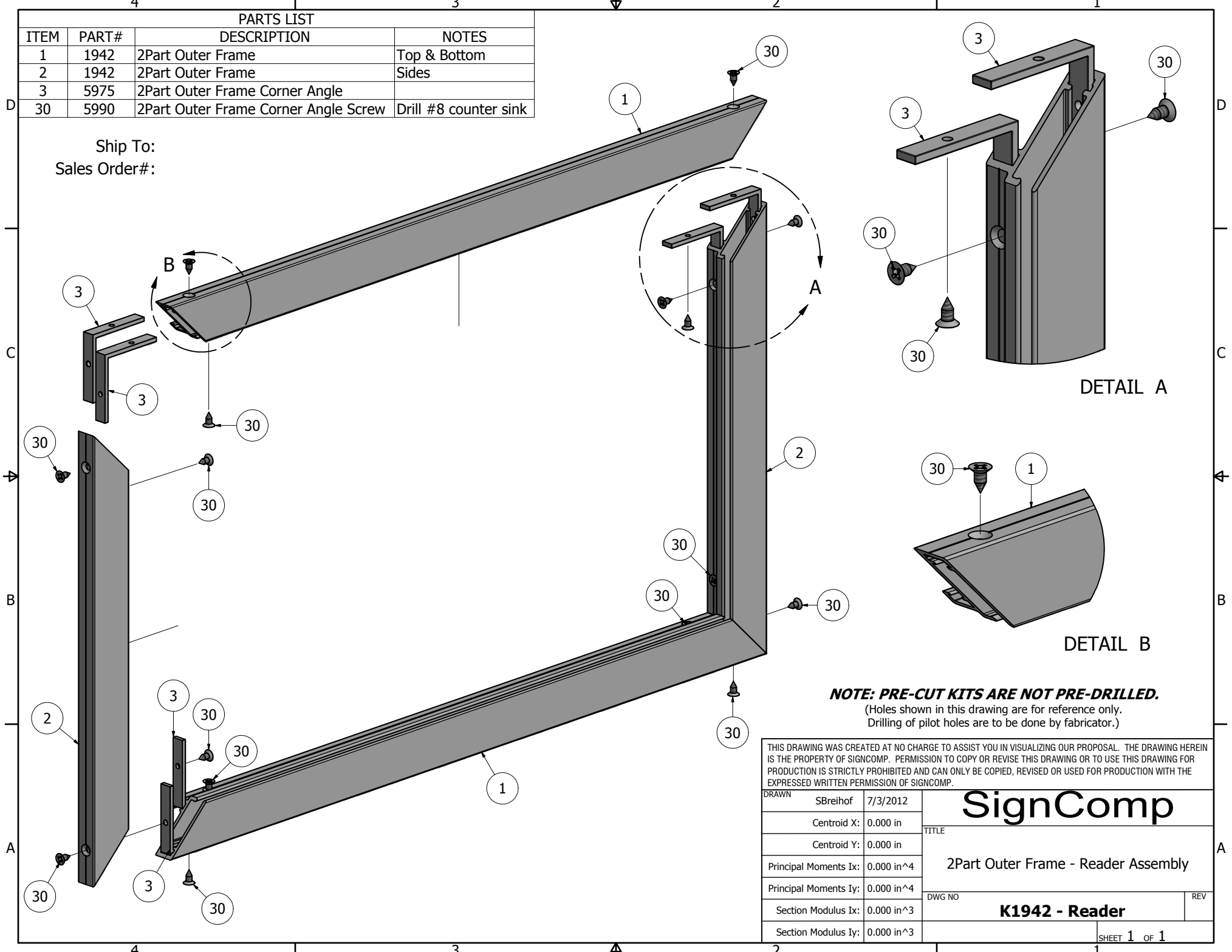


NOTE: PRE-CUT KITS ARE NOT PRE-DRILLED.
(Holes shown in this drawing are for reference only.
Drilling of pilot holes are to be done by fabricator.)

| | | |
|---|-----------------------|---------------------------------------|
| THIS DRAWING WAS CREATED AT NO CHARGE TO ASSIST YOU IN VISUALIZING OUR PROPOSAL. THE DRAWING HEREIN IS THE PROPERTY OF SIGNCOMP. PERMISSION TO COPY OR REVISE THIS DRAWING OR TO USE THIS DRAWING FOR PRODUCTION IS STRICTLY PROHIBITED AND CAN ONLY BE COPIED, REVISED OR USED FOR PRODUCTION WITH THE EXPRESSED WRITTEN PERMISSION OF SIGNCOMP. | | |
| DRAWN | SBreihof | 6/27/2012 |
| Centroid X: | 0.000 in | |
| Centroid Y: | 0.000 in | |
| Principal Moments Ix: | 0.000 in ⁴ | |
| Principal Moments Iy: | 0.000 in ⁴ | |
| Section Modulus Ix: | 0.000 in ³ | |
| Section Modulus Iy: | 0.000 in ³ | |
| <h1 style="text-align: center;">SignComp</h1> | | TITLE |
| | | 2Part Inner Frame - Reader - Assembly |
| DWG NO | | REV |
| K1960 - Reader | | |
| SHEET 1 OF 1 | | |

| PARTS LIST | | | |
|------------|-------|--------------------------------------|-----------------------|
| ITEM | PART# | DESCRIPTION | NOTES |
| 1 | 1942 | 2Part Outer Frame | Top & Bottom |
| 2 | 1942 | 2Part Outer Frame | Sides |
| 3 | 5975 | 2Part Outer Frame Corner Angle | |
| 30 | 5990 | 2Part Outer Frame Corner Angle Screw | Drill #8 counter sink |

Ship To:
Sales Order#:



DETAIL A

DETAIL B

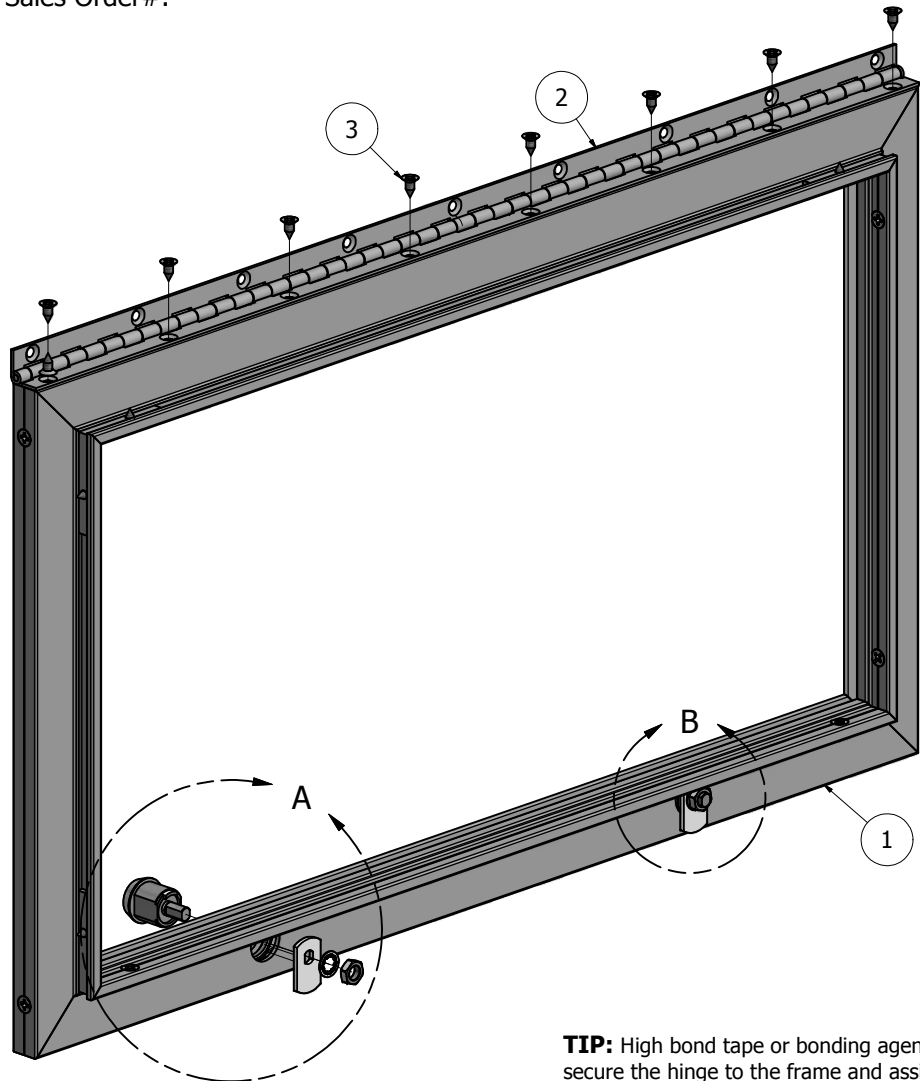
NOTE: PRE-CUT KITS ARE NOT PRE-DRILLED.
(Holes shown in this drawing are for reference only.
Drilling of pilot holes are to be done by fabricator.)

THIS DRAWING WAS CREATED AT NO CHARGE TO ASSIST YOU IN VISUALIZING OUR PROPOSAL. THE DRAWING HEREIN IS THE PROPERTY OF SIGNCOMP. PERMISSION TO COPY OR REVISE THIS DRAWING OR TO USE THIS DRAWING FOR PRODUCTION IS STRICTLY PROHIBITED AND CAN ONLY BE COPIED, REVISED OR USED FOR PRODUCTION WITH THE EXPRESSED WRITTEN PERMISSION OF SIGNCOMP.

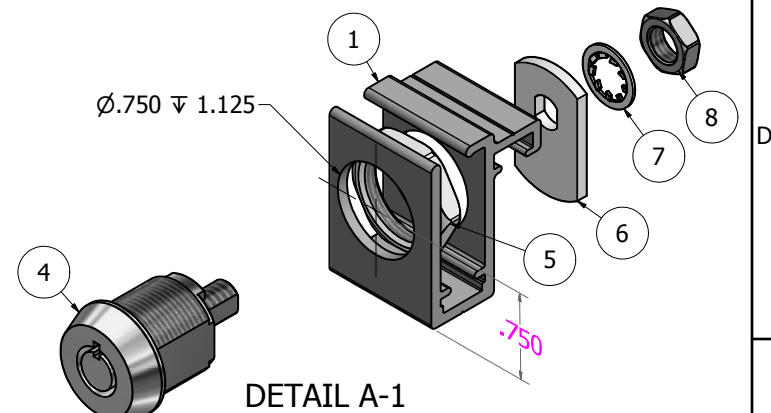
| | | | |
|-----------------------|-----------------------|----------|--|
| DRAWN | SBreihof | 7/3/2012 | <h1>SignComp</h1> |
| Centroid X: | 0.000 in | | |
| Centroid Y: | 0.000 in | | |
| Principal Moments Ix: | 0.000 in ⁴ | | <h2>2Part Outer Frame - Reader Assembly</h2> |
| Principal Moments Iy: | 0.000 in ⁴ | | |
| Section Modulus Ix: | 0.000 in ³ | | DWG NO |
| Section Modulus Iy: | 0.000 in ³ | | K1942 - Reader |
| | | | REV |

| PARTS LIST | | | |
|------------|--------|-------------------|---|
| ITEM | PART # | DESCRIPTION | NOTES |
| 1 | 1942 | 2Part Outer Frame | |
| 2 | 5996 | 2Part Hinge | |
| 3 | | Hinge Fastener | 1/8" Pop Rivet or #8 Counter Sunk Screw |
| 4 | 5994 | 2Part Lock | Drill 3/4" Hole - See Detail "A" |
| 5 | | Lock Nut | |
| 6 | | Cam | |
| 7 | | Lock Washer | |
| 8 | | Cam Nut | |

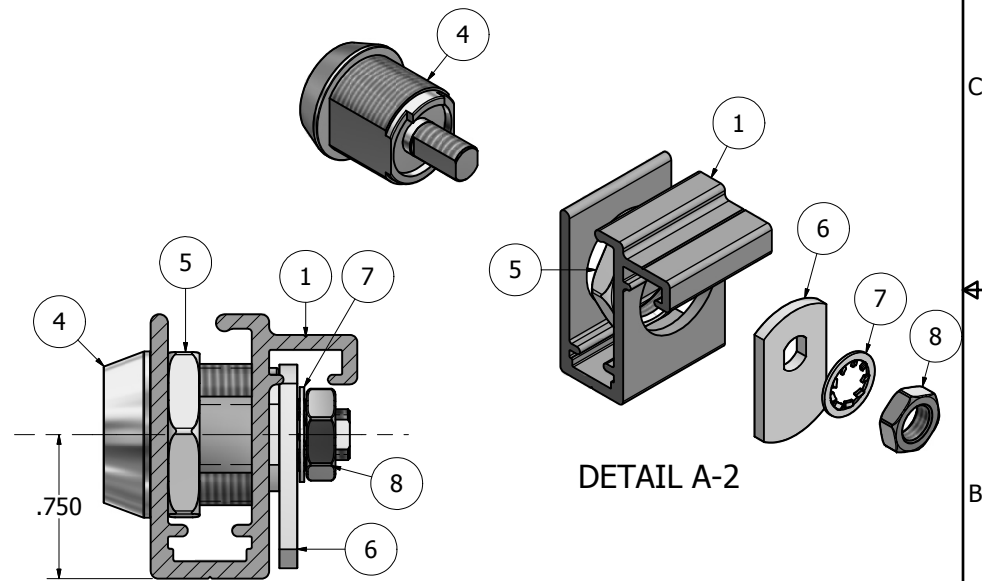
Ship To:
Sales Order#:



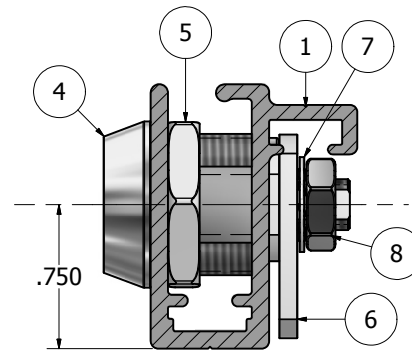
TIP: High bond tape or bonding agents can be used to help secure the hinge to the frame and assist in the installation of the hinge. Be careful not to get the tape on the barrel of the hinge. To do so may cause the hinge not to open properly.



DETAIL A-1



DETAIL A-2



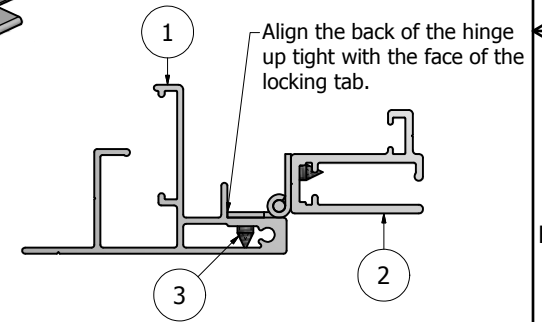
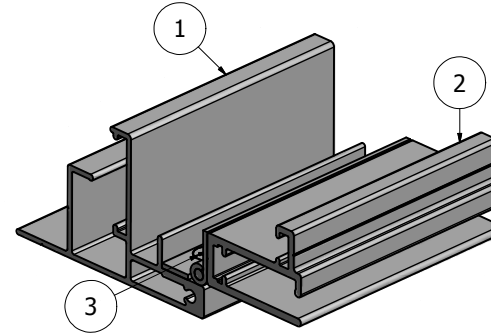
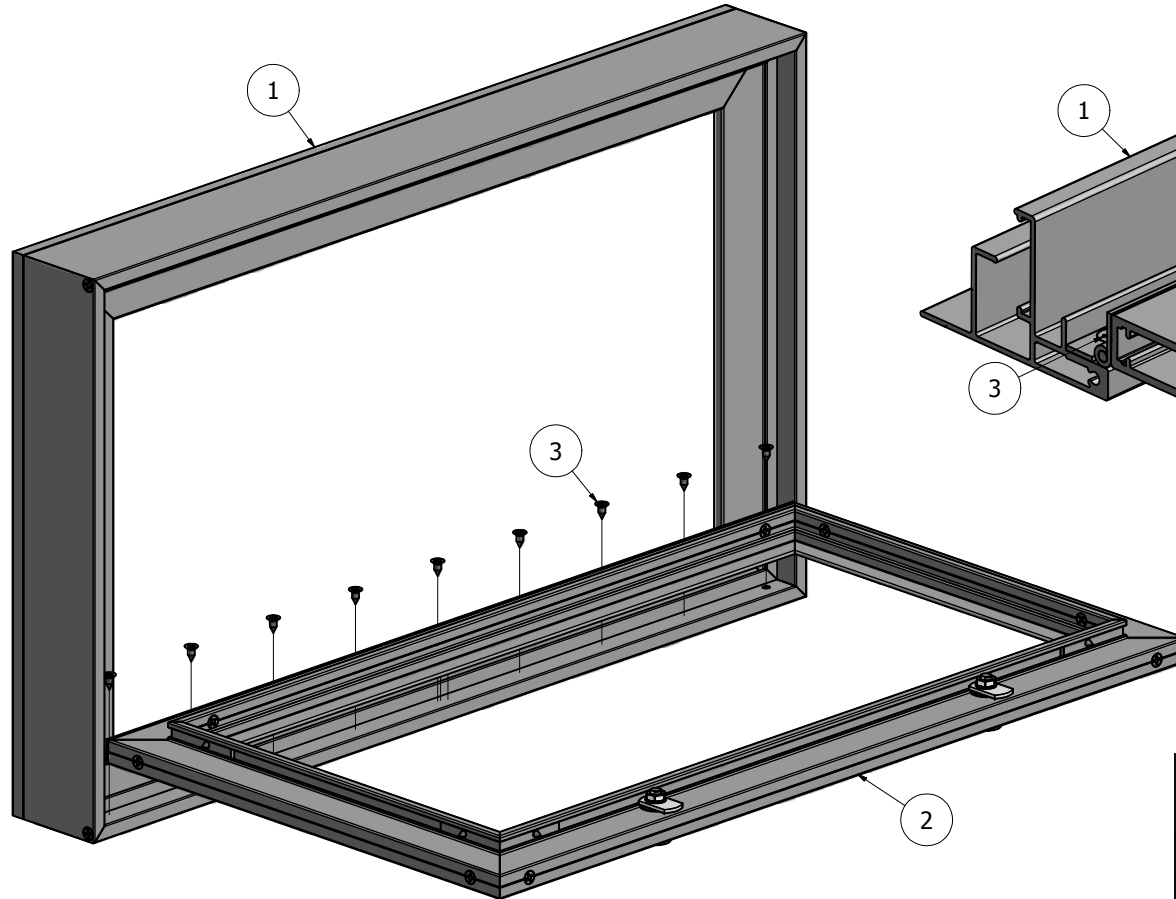
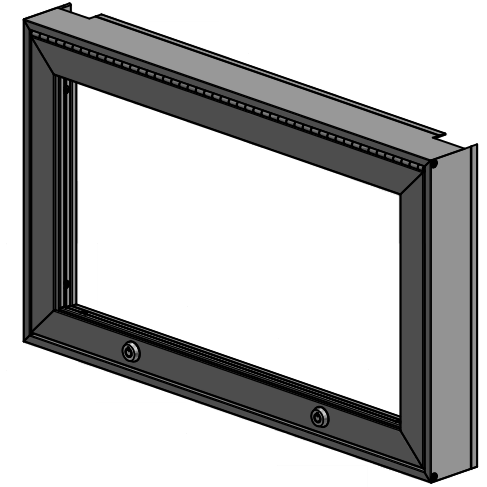
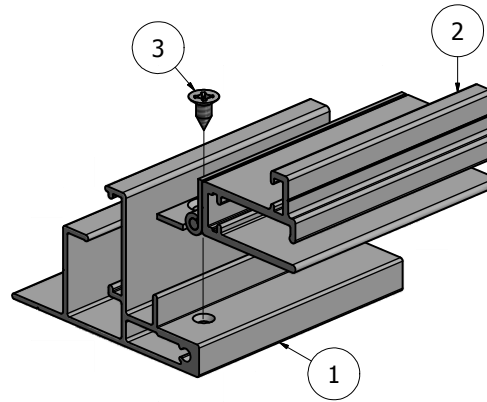
DETAIL B

NOTE: PRE-CUT KITS ARE NOT PRE-DRILLED.
(Holes shown in this drawing are for reference only.
Drilling of pilot holes are to be done by fabricator.)

| | | | | |
|---|------------|-----------|---|-----|
| THIS DRAWING WAS CREATED AT NO CHARGE TO ASSIST YOU IN VISUALIZING OUR PROPOSAL. THE DRAWING HEREIN IS THE PROPERTY OF SIGNCOMP. PERMISSION TO COPY OR REVISE THIS DRAWING OR TO USE THIS DRAWING FOR PRODUCTION IS STRICTLY PROHIBITED AND CAN ONLY BE COPIED, REVISED OR USED FOR PRODUCTION WITH THE EXPRESSED WRITTEN PERMISSION OF SIGNCOMP. | | | <h1>SignComp</h1> | |
| DRAWN | SBreihof | 6/29/2012 | | |
| Centroid X: | 0.000 in | | 2Part Outer Frame - 2Part Hinge - 2Part Lock - Reader Assembly | |
| Centroid Y: | 0.000 in | | DWG NO | REV |
| Principal Moments Ix: | 0.000 in^4 | | K1942-5996-5994 Reader | |
| Principal Moments Iy: | 0.000 in^4 | | | |
| Section Modulus Ix: | 0.000 in^3 | | | |
| Section Modulus Iy: | 0.000 in^3 | | | |
| | | | SHEET 1 OF 1 | |

| PARTS LIST | | | |
|------------|-------|-------------------|--|
| ITEM | PART# | DESCRIPTION | NOTES |
| 1 | K1960 | 2Part Inner Frame | Assembly |
| 2 | K1942 | 2Part Outer Frame | Assembly |
| 3 | | Hinge Fastener | 1/8" Pop Rivet or #8 Counter Sunk Fastener |

Ship To:
Sales Order#:



NOTE: PRE-CUT KITS ARE NOT PRE-DRILLED.
(Holes shown in this drawing are for reference only.
Drilling of pilot holes are to be done by fabricator.)

THIS DRAWING WAS CREATED AT NO CHARGE TO ASSIST YOU IN VISUALIZING OUR PROPOSAL. THE DRAWING HEREIN IS THE PROPERTY OF SIGNCOMP. PERMISSION TO COPY OR REVISE THIS DRAWING OR TO USE THIS DRAWING FOR PRODUCTION IS STRICTLY PROHIBITED AND CAN ONLY BE COPIED, REVISED OR USED FOR PRODUCTION WITH THE EXPRESSED WRITTEN PERMISSION OF SIGNCOMP.

| | | | | |
|-----------------------|------------|----------|---|--|
| DRAWN | SBreihof | 7/2/2012 | <h1>SignComp</h1> | |
| Centroid X: | 0.000 in | | | |
| Centroid Y: | 0.000 in | | TITLE 2Part Inner Frame - 2Part Outer Frame - Reader Assembly | |
| Principal Moments Ix: | 0.000 in^4 | | | |
| Principal Moments Iy: | 0.000 in^4 | | DWG NO K1960/42 | |
| Section Modulus Ix: | 0.000 in^3 | | | |
| Section Modulus Iy: | 0.000 in^3 | | SHEET 1 OF 1 | |

TIP: High bond tape or bonding agents can be used to help secure the hinge to the frame and assist in the installation of the hinge. Be careful not to get the tape on the barrel of the hinge. To do so may cause the hinge not to open properly.